

DWxxDLC-S

1. Description

The DWxxDLC-S Series are ultra-low capacitance transient voltage suppressor arrays, designed to protect applications such as portable electronics and smart phones. This series is available bidirectional configurations and is rated at 350 Watts for an 8/20us waveshape. At higher operating frequencies or faster edge rates, insertion loss and signal integrity are a major concern. This series offers a ultra-low capacitance and low leakage current in a miniature SOD-323 package.

2. Features

- IEC 61000-4-2 Level 4 ESD Protection
 - ± 10 kV Contact Discharge
 - ± 15 kV Air Discharge
- IEC 61000-4-4 EFT Protection
 - 40A (5/50ns)
- 350W Peak pulse Power (8/20us)
- RoHS compliance
- Unidirectional configuration
- Ultra-low Capacitance: 0.8pF (Typical)
- Low clamping voltage
- Protects one power or I/O

3. Applications

- Interfaces
 - USB 2.0/1.1
 - GPIO
 - Ethernet 10/100/1000 Mbps
 - Audio
- End Equipment
 - Industrial and Serve Robots
 - Laptops and Desktops
 - TV and Monitors
 - Wearables

4. Ordering Information

Part Number	Package	Material	Packing	Quantity per reel	Flammability Rating	Reel Size
DWxxDLC-S	SOD-323	Halogen free	Tape & Reel	3000 PCS	UL 94V-0	7 inches
Marking for the DWxxDLC-S series						
V_{RWM}	3.3V	5V	8V	12V	15V	24V
Marking	S3	S5	S8	S12	S15	S24

Table-1 Ordering information

5. Pin Configuration and Functions

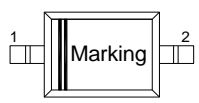
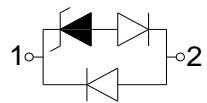
Pin	Name	Description	Outline	Circuit Diagram
1	IO	Connect to IO		
2	GND	Connect to GND		

Table-2 Pin configuration

6. Specification

6.1. Absolute Maximum rating

Over operating free-air temperature range (unless otherwise noted)

Parameters	Symbol	Min.	Max.	Unit
Peak pulse power (tp=8/20us)@25°C	P_{pk}	-	350	W
Peak pulse current (tp=8/20us)@25°C	I_{PP}		Refer to Table-5	A
ESD (IEC61000-4-2 air discharge) @25°C	V_{ESD}	-	±15	kV
ESD (IEC61000-4-2 contact discharge) @25°C	V_{ESD}	-	±10	kV
Junction temperature	T_J	-	150	°C
Operating temperature	T_{OP}	-40	125	°C
Storage temperature	T_{STG}	-55	150	°C
Lead temperature	T_L	-	260	°C

Table-3 Absolute Maximum rating

6.2. Electrical Characteristics

Symbol	Description
V_{RWM}	Rated reverse stand-off voltage
V_{BR}	Minimum breakdown voltage @ $I_T = 1mA$
V_{CL}	Typical Clamping voltage
I_{PP}	Maximum peak pulse current
I_R	Reverse leakage current @ V_{RWM}
C_O	Typical line capacitance ($V_{IO}=0V$, $V_{P-P} = 30mV$, $f = 1MHz$)

Table-4 Parameters Description

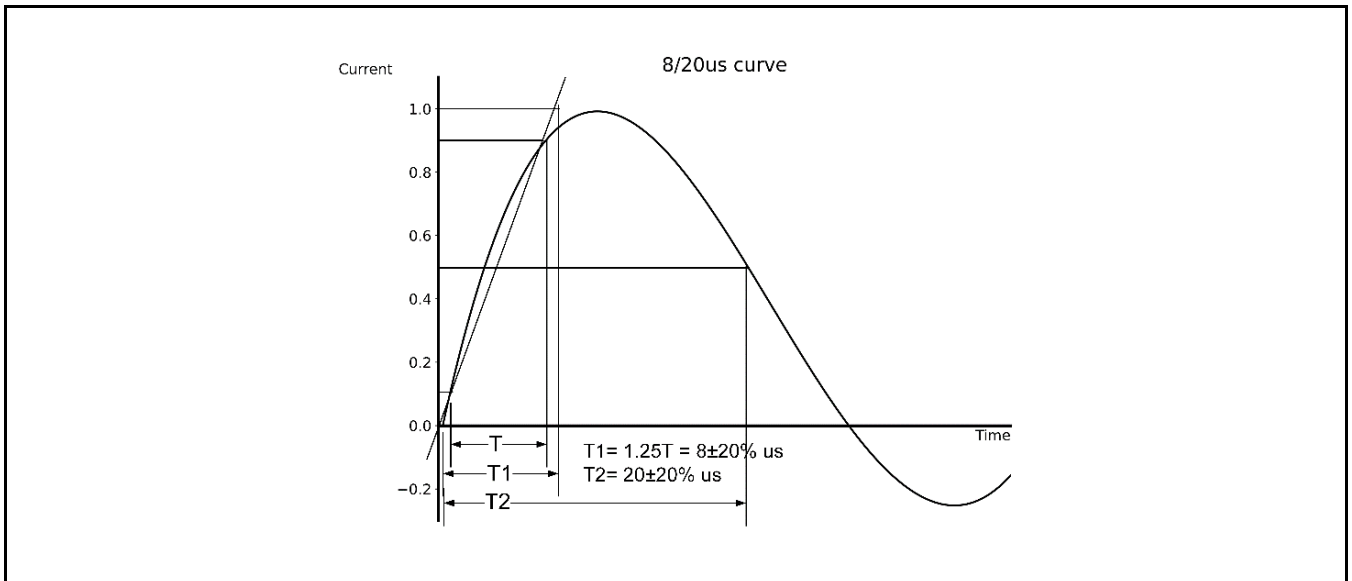
At $T_A = 25^\circ C$ unless otherwise noted

Part Number	V_{RWM}	V_{BR}	$V_{CL}@I=1A$	I_{PP}	$V_{CL}@I=I_{PP}$	I_R	C_O
	(V)	(V)	(V)	(A)	(V)	(μA)	(pF)
DW03DLC-S	3.3	4.5	8.5	14.0	20.0	1.0	0.8
DW05DLC-S	5.0	6.5	9.5	12.0	21.0	1.0	0.8
DW08DLC-S	8.0	8.5	12.0	10.0	25.0	1.0	0.8
DW12DLC-S	12.0	13.3	19.0	8.0	35	1.0	0.8
DW15DLC-S	15.0	16.5	24	6.0	45	1.0	0.8
DW24DLC-S	24.0	26.0	34	3.0	55	1.0	0.8

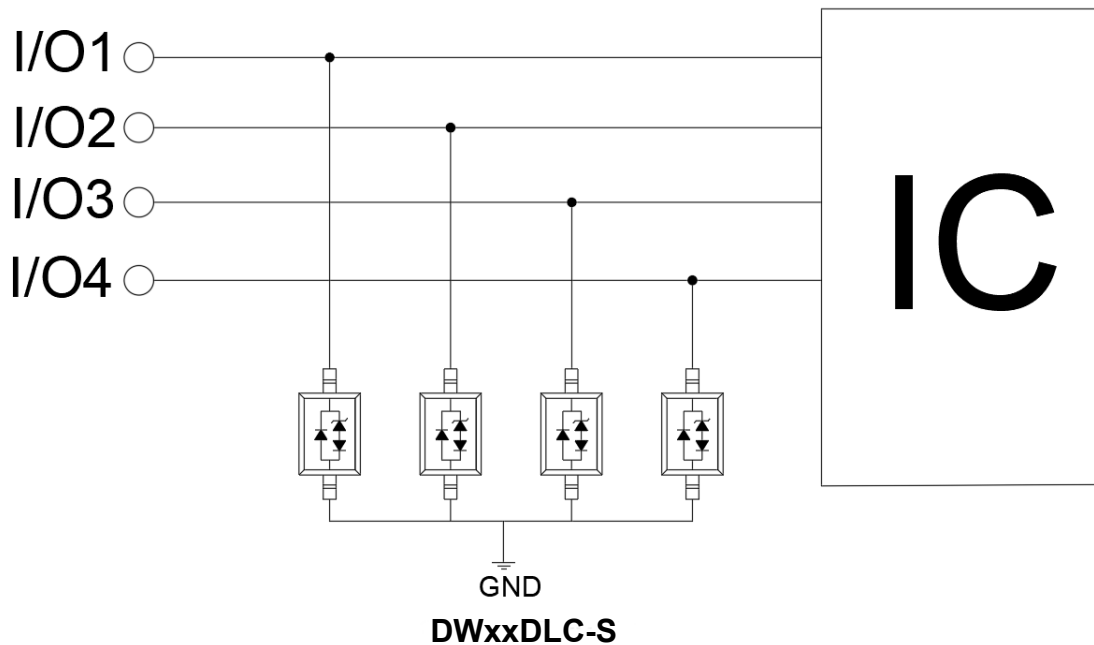
Table-5 Electrical Characteristics for All Series



7. Typical Characteristic



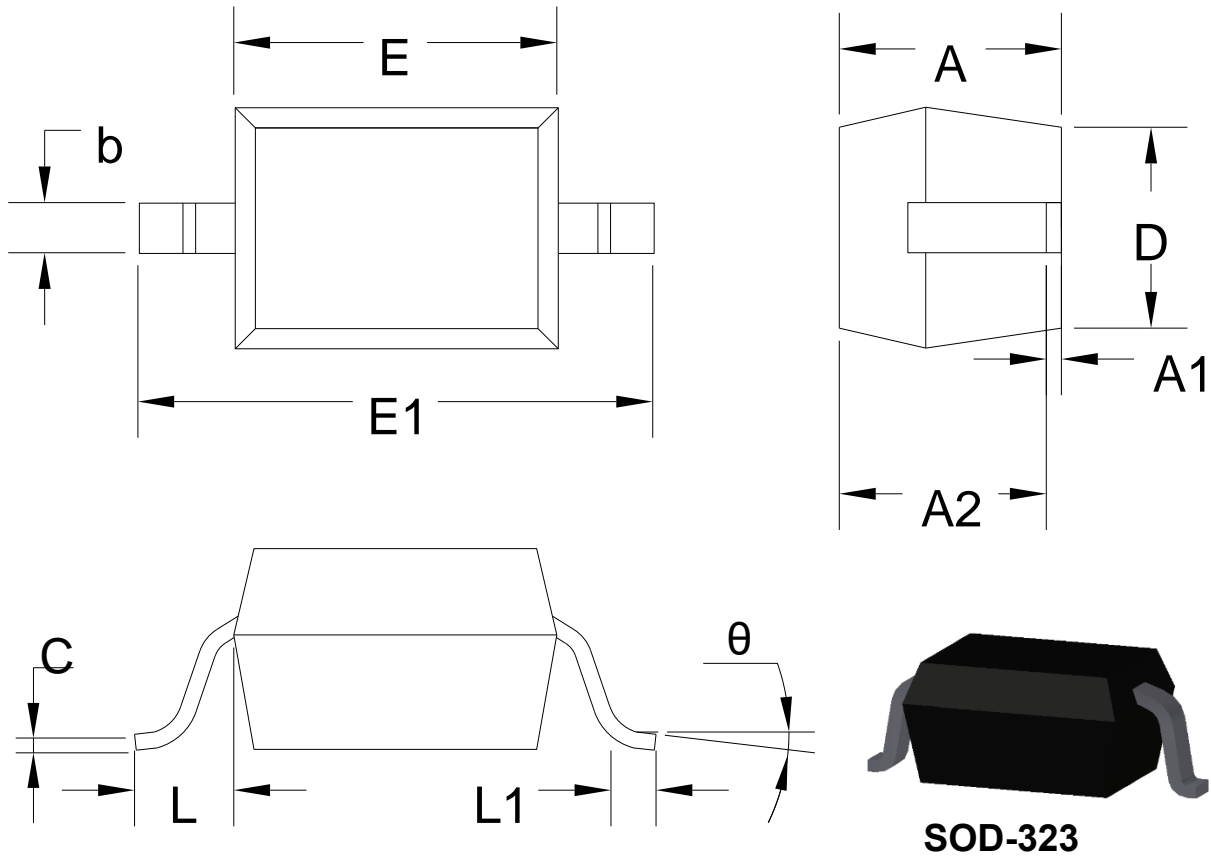
8. Typical Application



Pic-3 Typical Internet 1G Interface Application



9. Dimension

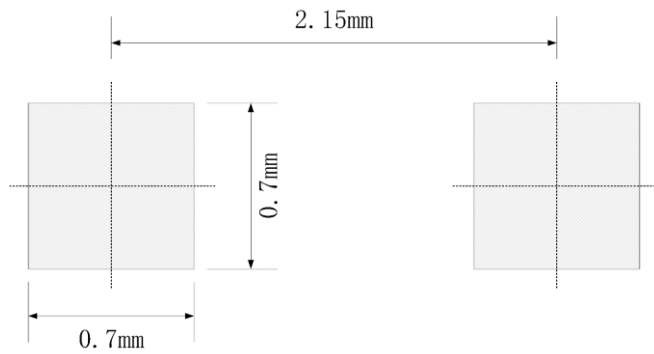


Symbol	Dimensions in Millimeters		Dimensions in Inches	
	Min.	Max.	Min.	Max.
A		1.000		0.039
A1	0.000	0.100	0.000	0.004
A2	0.800	0.900	0.031	0.035
b	0.250	0.350	0.010	0.014
C	0.080	0.150	0.003	0.006
D	1.200	1.400	0.047	0.055
E	1.600	1.800	0.063	0.071
E1	2.550	2.750	0.100	0.108
L	0.475REF		0.019REF	
L1	0.250	0.400	0.010	0.016
θ	0°	8°	0°	8°

Table-6 product dimensions



10. Recommended Land Pattern



Note:

1. Controlling dimension: in millimeters
2. General tolerance: $\pm 0.05\text{mm}$
3. The pad layout is for reference only