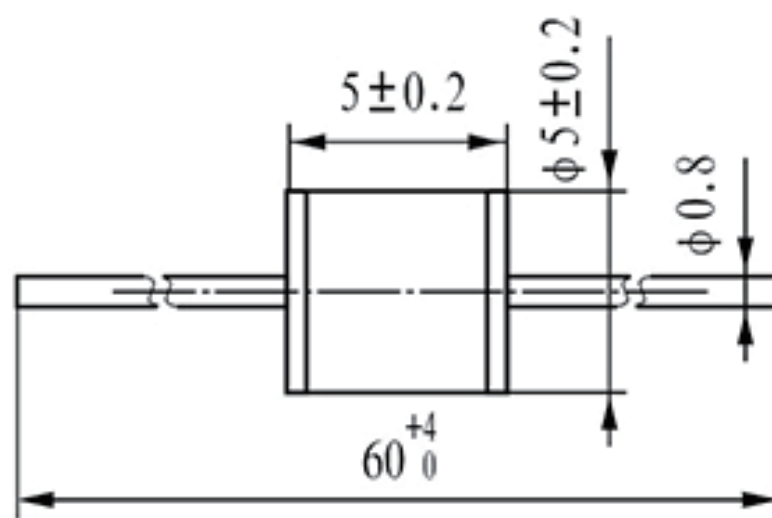


2RXXA-Q



2RXXAI-S



项目 Item	规格 Specification						单位 Unit
	2R75 A-Q	2R90 A-Q	2R150 A-Q	2R230 A-Q	2R350 A-Q	2R600 A-Q	
	2R75 AI-S	2R90 AI-S	2R150 AI-S	2R230 AI-S	2R350 AI-S	2R600 AI-S	
标称直流击穿电压 Nominal DC Spark-over Voltage (100V/S)	75 ±20%	90 ±20%	150 ±20%	230 ±20%	350 ±20%	600 ±20%	V
最大冲击击穿电压 Maximum impulse spark- over voltage (1KV/us)	600	600	650	700	800	1100	V
耐冲击电流 (短波) Impulse discharge current (8/20us, 10 times)	5	5	5	5	5	5	KA
耐冲击电流 (长波) Impulse discharge current (10/1000us, 300 times)	100	100	100	100	100	100	A
耐交流电流 AC discharge current (50Hz, Is, 10 times)	5	5	5	5	5	5	A
最小绝缘电阻 Minimum insulation resistance	1000	1000	1000	1000	1000	1000	MΩ
最大极间电容 Maximum capacitance (1MHZ)	1.5	1.5	1.5	1.5	1.5	1.5	pF

主要用于信号防护 (电话、Fax、Modem、CATV等)