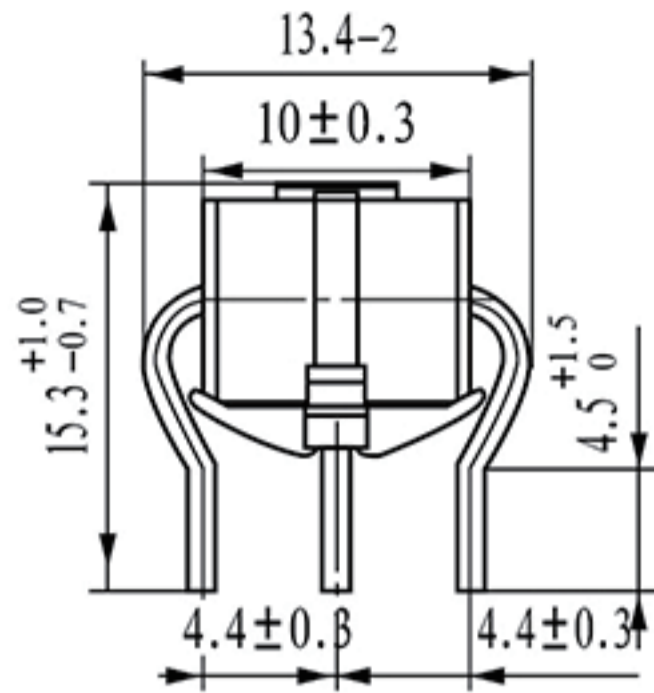
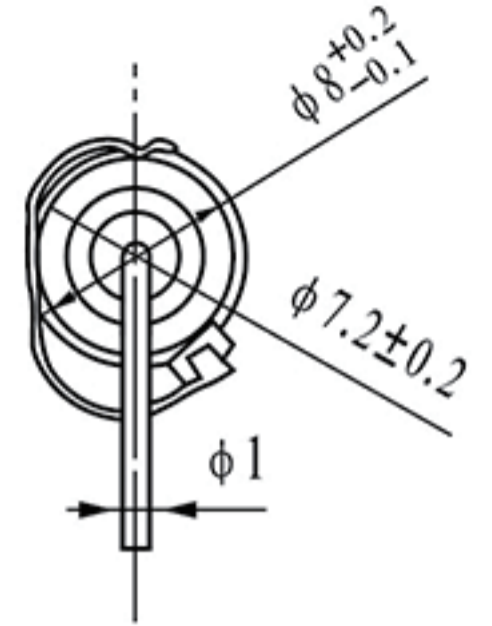


3RXXP



3R-XXP-FS1



项目 Item	规格 Specification							单位 Unit
	3R75P	3R90P	3R150P	3R230P	3R350P	3R420P	3R600P	
	3R-75 P-FS1	3R-90 P-FS1	3R-150 P-FS1	3R-230 P-FS1	3R-350 P-FS1	3R-420 P-FS1	3R-600 P-FS1	
标称直流击穿电压 Nominal DC Spark-over Voltage (100V/S)	75 ±20%	90 ±20%	150 ±20%	230 ±20%	350 ±20%	420 ±20%	600 ±20%	V
最大冲击击穿电压 Maximum impulse spark- over voltage (1KV/us)	550	550	600	600	800	950	1100	V
耐冲击电流 (短波) Impulse discharge current (8/20us, 10 times) (a+b)-e	10	10	10	10	10	10	10	KA
耐冲击电流 (长波) Impulse discharge current (10/1000us, 300 times) (a+b)-e	100	100	100	100	100	100	100	A
耐交流电流 AC discharge current (50Hz, Is, 10 times) (a+b)-e	10	10	10	10	10	10	10	A
最小绝缘电 Minimum insulation resistance	1000	1000	1000	1000	1000	1000	1000	MΩ
最大极间电容 Maximum capacitance (1MHZ)	1.5	1.5	1.5	1.5	1.5	1.5	1.5	pF
最大横向电压延迟时间 Maximum transverse voltage duration	200	200	200	200	200	200	200	ns